

USB-C Connector

EIO1200

Description

The EIO1200 is a USB C Female type connector with 90° mounting. The connector is designed for a wide range of applications.



Features

Mechanical Properties	Description
Housing:	LCP, UL94V-0, Black
Shell:	SUS, Tin plating over all
Contact:	Copper Alloy, Gold plating on contact area, Gold plating on solder area and Nickel plating over all.
Mating Force:	35N max.
Unmating Force:	10N min. (8N min. after durability)
Durability:	10000 Cycles
Operating Temperature:	-30°C~+85°C
Dimensions:	8 x 3 x 5 mm ± 0.1

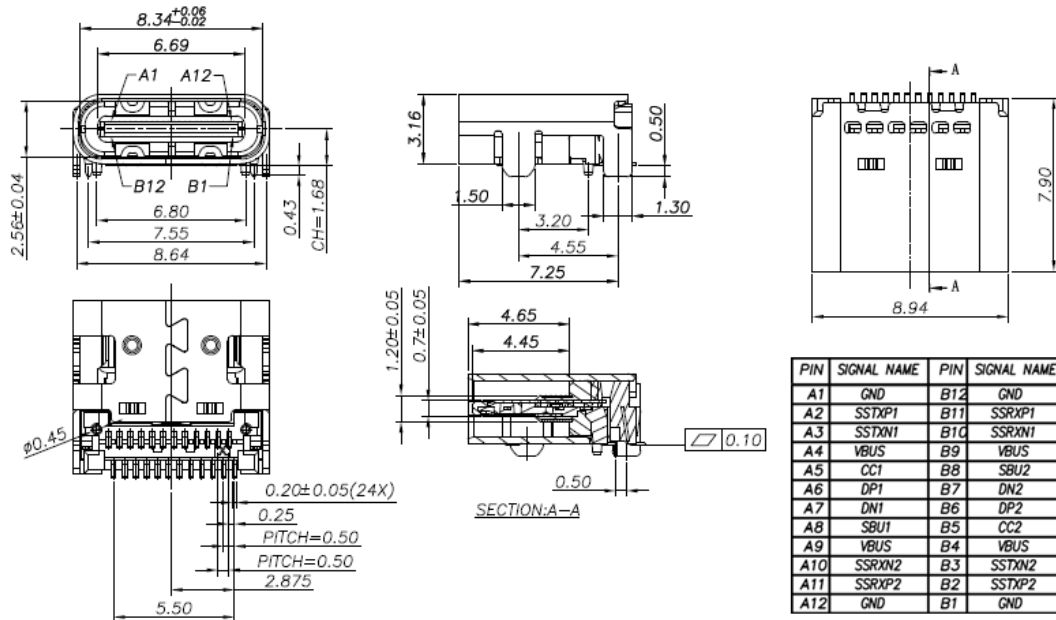
Electrical Properties	Description
Voltage Rating:	30 VAC
Current Rating:	1.5A
Contact Resistance:	50 mΩ max.
Insulation Resistance:	100 MΩ max. @100 VDC
Dielectric Withstanding:	100 VAC

USB-C Connector

EIO1200

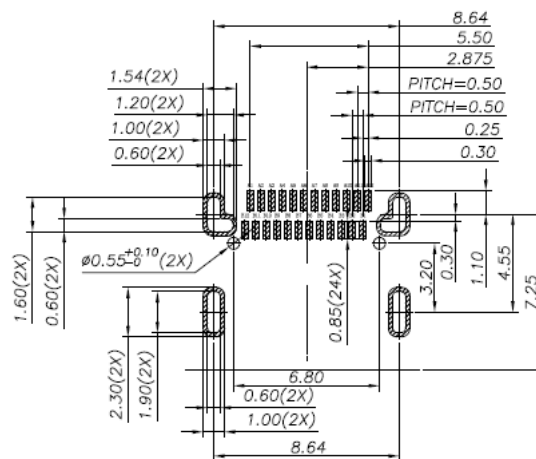
Dimensions

*unit: mm



PCB Footprint

*unit: mm



USB-C Connector

EIO1200



Ordering information

Ordering can be done via www.summit-electronics.com or via info@summit-electronics.com. Please contact us for more information. Customisation of the product is available on request.

Technical support

For all product questions please contact us via info@summit-electronics.com

Document revision

Rev	Date	changes
V01.00	22-08-2023	EK; First issue of document